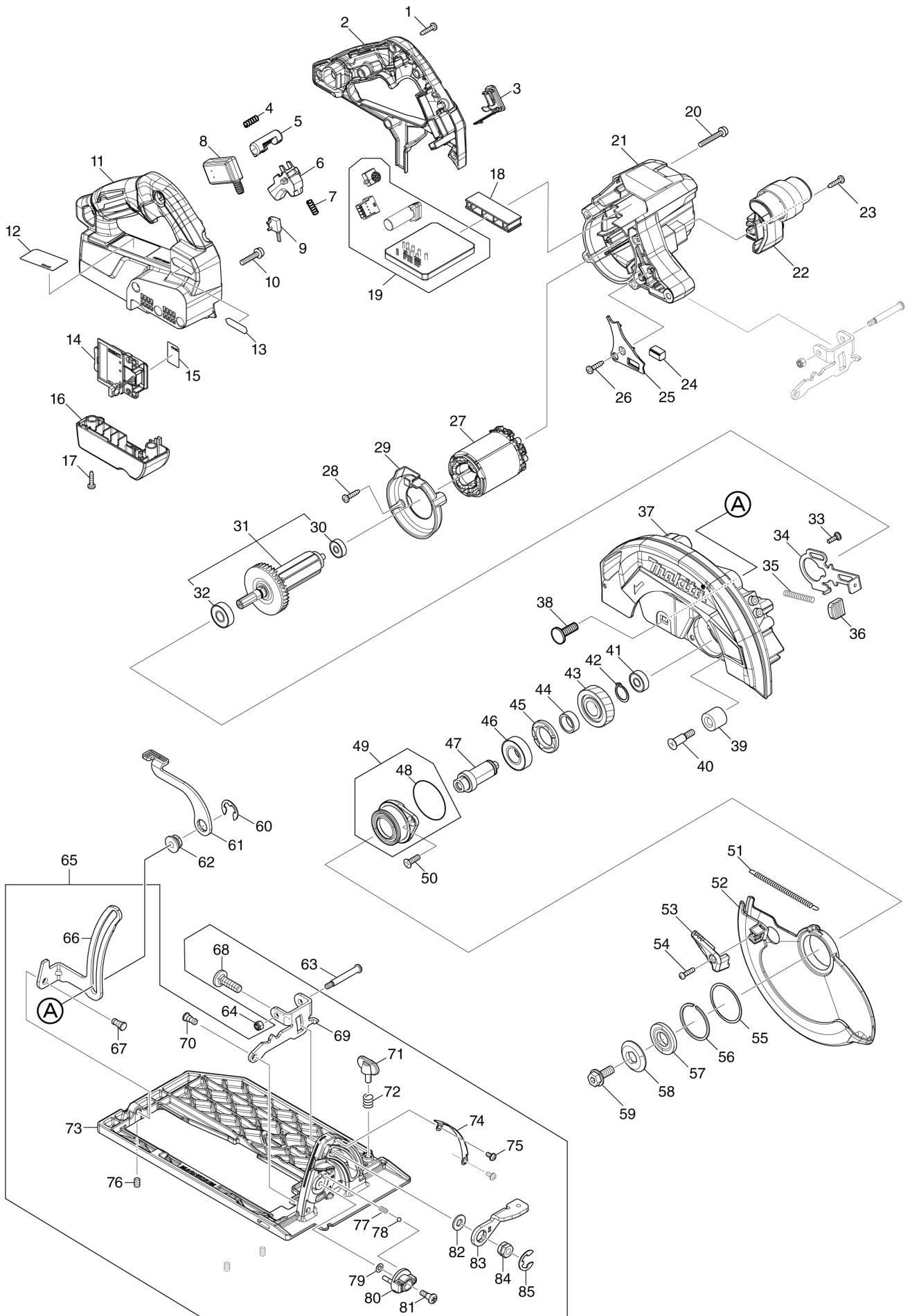


(IN) HS003G / 185MM CORDLESS CIRCULAR SAW



IN

INDIA

HS003G / 185MM CORDLESS CIRCULAR SAW

IN

Item	Sub	Parts No.	Parts Description	Qty	I/C	E/C No.	Close No.	Remark
001		266326-2	TAPPING SCREW 4X18	6				
002		183R15-1	HANDLE SET	1				
	C10	263005-3	RUBBER PIN 6	1				
	D10		INC. 11					
003		140F99-0	CAP COMPLETE	1				
	C10	213218-6	O RING 16	1				
	C20	818H07-8	CAP LABEL	1				
004		231433-0	COMPRESSION SPRING 4	1				
005		419704-7	LOCK OFF BUTTON	1				
006		458594-3	SWITCH LEVER	1				
007		231433-0	COMPRESSION SPRING 4	1				
008		651083-9	SWITCH C3XA-1PSPM	1				
009		632M92-5	SWITCH UNIT	1				
010		911243-8	PAN HEAD SCREW M5X25	3				
011		183R15-1	HANDLE SET	1				
	C10	263005-3	RUBBER PIN 6	1				
	D10		INC. 2					
012		857E33-4	HS003G NAME PLATE	1				
013		8012U4-2	XGT LOGO LABEL	1				
014		632P65-6	TERMINAL UNIT	1				
015		857E38-4	HS003G SERIAL NO. LABEL	1				
016		140S46-9	TERMINAL HOUSING COMPLETE	1				
	C10	263005-3	RUBBER PIN 6	1				
017		266326-2	TAPPING SCREW 4X18	2				
018		412480-2	SPACER	1				
019		620D01-2	CONTROLLER	1				
020		911258-5	PAN HEAD SCREW M5X35	4				
021		458746-6	MOTOR HOUSING	1				
022		458750-5	FRONT GRIP	1				
023		266326-2	TAPPING SCREW 4X18	1				
024		620936-3	LED CIRCUIT	1				
025		458751-3	LIGHT COVER	1				
026		266326-2	TAPPING SCREW 4X18	1				
027		629479-2	STATOR	1				
028		266326-2	TAPPING SCREW 4X18	2				
029		458749-0	BAFFLE PLATE	1				
030		210022-4	BALL BEARING 626DDW	1				
031		519534-7	ROTOR ASSY	1				
	D10		INC. 30,32					
032		210059-1	BALL BEARING 6000DDW	1				
033		251529-1	+ PAN HEAD SCREW M4X14	1				
034		347676-5	SHAFT LOCK	1				
035		233084-5	COMPRESSION SPRING 6	1				
036		286039-9	CAP	1				
037		140S43-5	BLADE CASE COMPLETE	1				
	C10	213434-0	O RING 26	1				
	C20	263005-3	RUBBER PIN 6	1				
	C30	818C46-8	SCALE LABEL	1				
038		266396-1	FLATHEAD SQUARENECKBOLT M8X24	1				
039		262185-2	RUBBER SLEEVE8	1				
040		251572-0	+ COUNTERSUNK HEAD SCREW M6X3	1				
041		210029-0	BALL BEARING 608ZZ	1				
042		961057-5	RETAINING RING S-17	1				
043		226838-7	HELICAL GEAR 37	1				
044		257451-0	RING 17	1				
045		285809-3	BEARING RETAINER 23-36	1				
046		210301-0	BALL BEARING 6003DDW	1				
047		327192-3	SPINDLE	1				
048		213565-5	O RING 42	1				
049		136021-7	BEARING BOX ASSY	1				
	D10		INC. 48					
050		265034-2	+ COUNTERSUNK HEAD SCREW M5X1	2				
051		232467-6	TENSION SPRING 4	1				
052		319970-5	SAFETY COVER	1				
053		271448-5	LEVER 37	1				

B:HS003GM201(H)

Interchange

O : Yes

X : No

< : the new part can be substituted for the current.

> : the current part can be substituted for the new.

S : Interchangeable as a set.

